

8

7

6

5

4

3

2

1

H

H

G

G

F

F

E

E

D

D

C

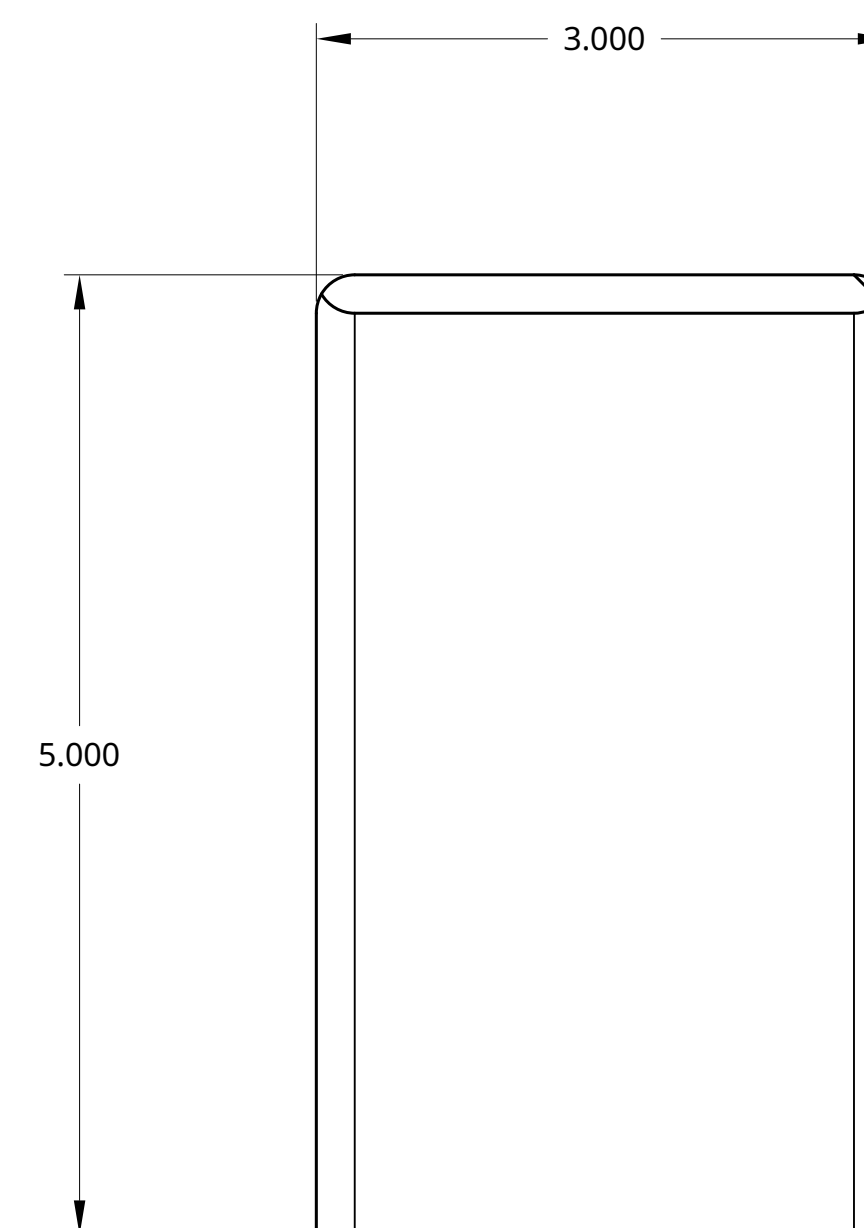
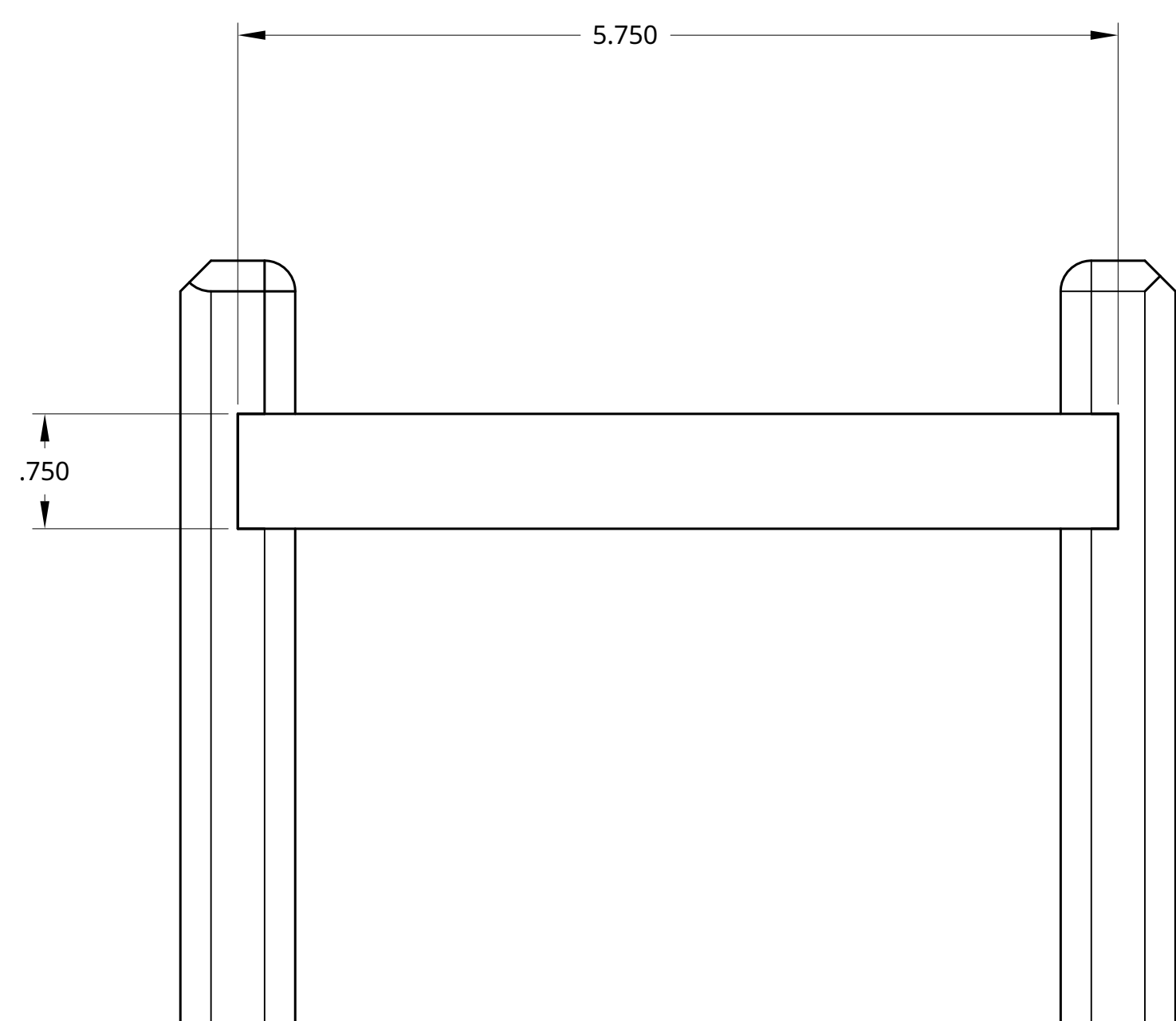
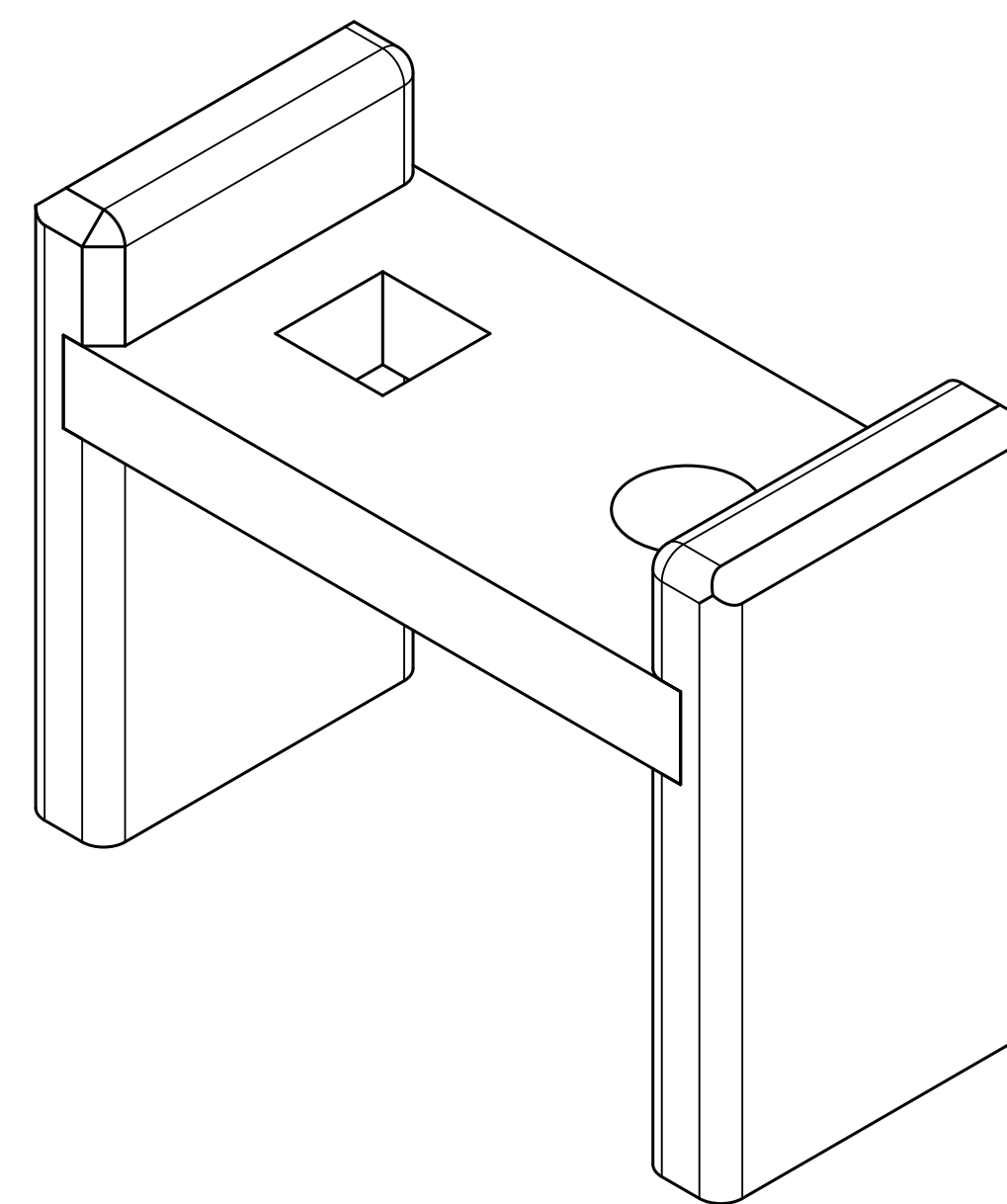
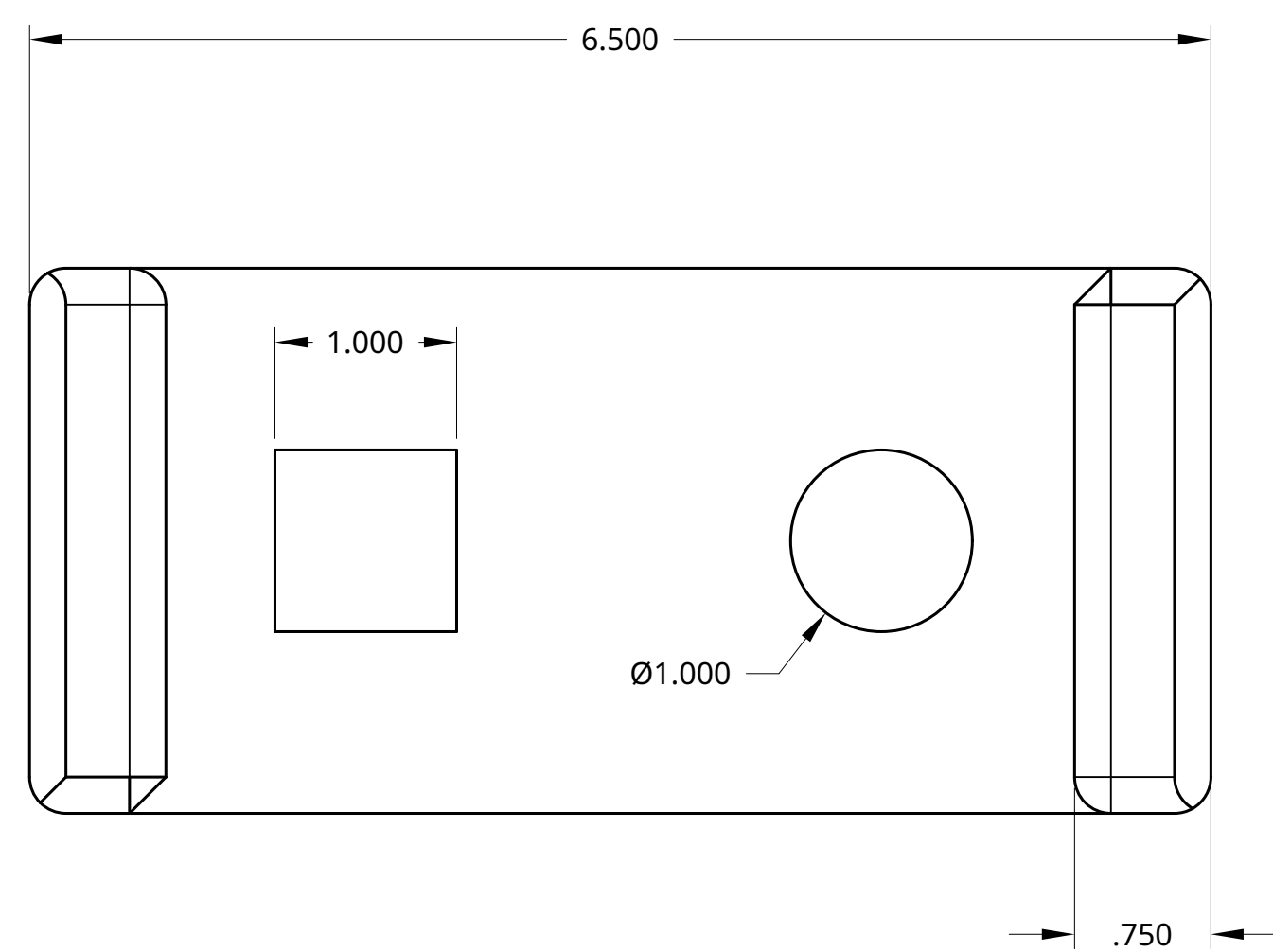
C

B

B

A

A



UNLESS OTHERWISE SPECIFIED, DIMENSIONS ARE IN INCHES		NAME	DATE		
.XX = ±.0-	ANGULAR ∠ = ±°	DRAWN	Luke Podmers	01/09/2017	
.XXX = ±.00-	FRACTIONAL = ±	CHECKED			TITLE
.XXXX = ±.000-		APPROVED			----
SURFACE FINISH $\sqrt{\quad}$					
DO NOT SCALE DRAWING					
BREAK ALL SHARP EDGES AND REMOVE BURRS					
THIRD ANGLE PROJECTION	MATERIAL	FINISH			SIZE D DWG NO. ---- REV. -
					SCALE 1:1 WEIGHT SHEET 1 of 1

8

7

6

5

4

3

2

1